

# 380Series

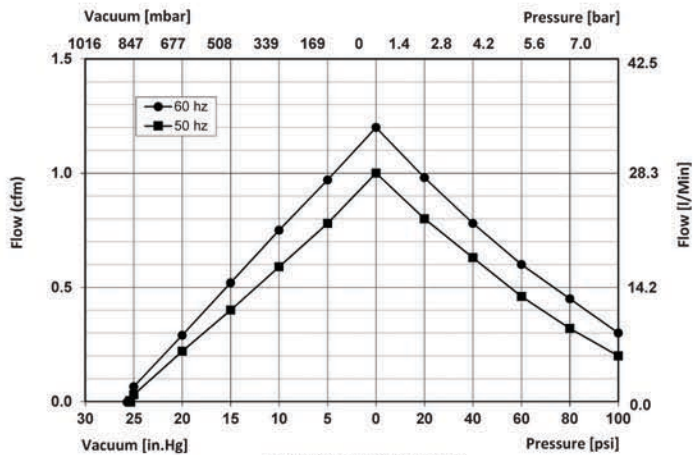
Flow	1.2 cfm (34 l/min)
Max. pressure	100 psi (6.9 bar)
Max. vacuum	89% local barometer



380CE32



380CGHI32,  
380CS32



380 Series Model Flow Curve

Note: 380CS32 is rated for 60 psi (4.1 bar) maximum pressure

## АНАЛИТИКА-СЕРВИС

NOTE: All test values are nominal and for reference only. They are not guaranteed maximum or minimum limits, nor do they imply mean or median.

PERFORMANCE DATA	T17-0151	T19-0381		T17-0107	
Model Number	380CE32	380CGHI32		380CS32	
Head Configuration	Pressure/vacuum	Pressure/vacuum		Pressure/vacuum	
Stroke	0.32 in. (8.1 mm)	0.32 in. (8.1 mm)		0.32 in. (8.1 mm)	
Nominal voltage input	115/60/1	220-240/50/1	230/60/1	100/50/1	100/60/1
Max. open air flow	1.2 cfm (34 l/min)	1.0 cfm (28.3 l/min)	1.2 cfm (34 l/min)	1.0 cfm (28.3 l/min)	1.2 cfm (34 l/min)
Max. rated pressure	100 psi (6.9 bar)	100 psi (6.9 bar)	100 psi (6.9 bar)	60 psi (4.1 bar)	60 psi (4.1 bar)
Current at rated pressure	2.1A	0.9A	1.1A	2.1A	2.5A
Power at rated pressure	206W	194W	168W	198W	232W
Speed at rated pressure	1669 rpm	1405 rpm	1720 rpm	1394 rpm	1716 rpm
Max. pressure restart	Consult factory	Consult factory	Consult factory	Consult factory	Consult factory
Max. vacuum	89% local barometer	89% local barometer	89% local barometer	89% local barometer	89% local barometer
Max. vacuum restart	Consult factory	Consult factory	Consult factory	Consult factory	Consult factory

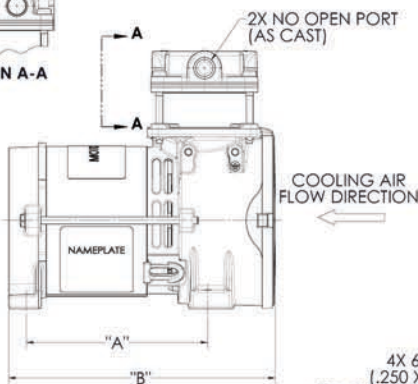
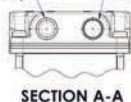
ELECTRICAL DATA					
Motor type (Capacitance)	P.S.C. [15 µF]	P.S.C. [10 µF]		P.S.C. [30 µF]	
Motor locked rotor current	5.4A	2.1A	2.0A	4.6A	4.1A
Motor insulation class	B	B		B	
Thermal switch (Nominal Open)	Yes [293°F (145°C)]	Yes [293°F (145°C)]		Yes [293°F (145°C)]	
Lead wire color, gauge	Brown(hot), blue(neutral), 18 AWG	Brown(hot), blue(neutral), 18 AWG		Brown(hot), blue(neutral), 18 AWG	
Capacitor lead wire color, gauge	Black, black, 18 AWG	Red, red, 18 AWG		Black, black, 18 AWG	

GENERAL DATA			
Operating ambient temperature	50° to 104°F (10°C TO 40°C)	50° to 104°F (10°C TO 40°C)	50° to 104°F (10°C TO 40°C)
Safety Certification	cRUus	CE	None
Net weight	9.70 lbs (4.4 kg)	9.95 lbs (4.5 kg)	9.95 lbs (4.5 kg)

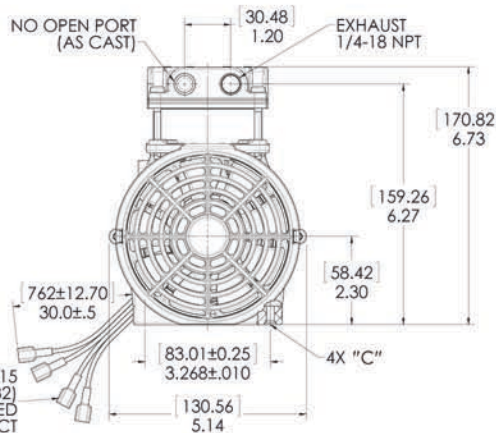
### PRODUCT DIMENSIONS

Dimensions in inches (mm)

NO OPEN PORT (AS CAST) INTAKE 1/4-18 NPT



ROTATION



Note: Models 380CGHI32 and 380CS32 have extended motor shell with cooling air flow fan directing air in toward motor

Model	"A"	"B"	"C"
380CE32	[120 ±.75] 4.274 ±.030	[176.4] 6.94	1/4-20 UNC-2B THRU
380CGHI32	[157 ±.75] 6.180 ±.030	[213.3] 8.40	1/4-20 UNC-2B THRU
380CS32	[157 ±.75] 6.180 ±.030	[213.3] 8.40	M6 X 1.0 THRU