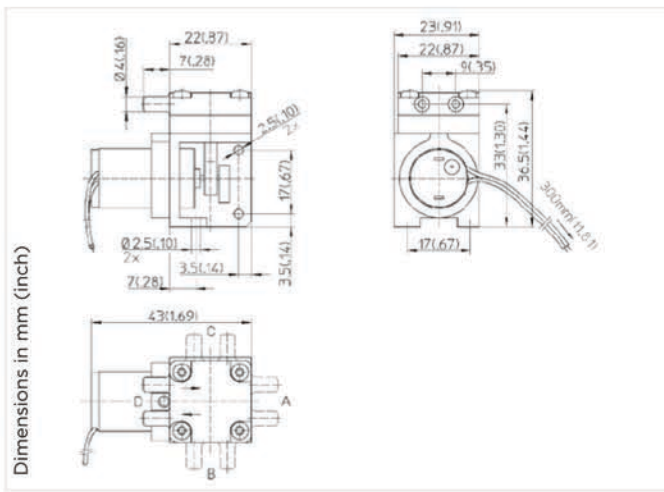


# Diaphragm Pump 3003 VD DC

Flow	1000 ml/min
Max. pressure	650 mbar
Max. vacuum	38 %



## АНАЛИТИКА-СЕРВИС



### PNEUMATIC DATA

Description	3003VD/0.7/E/DC	3003VD/0.7/E/DC	3003VD/0.7/E/DC
Part number	4.5 V 6.0 V 12.0 V 30030506	30030511	<b>30030509</b>
Max. flow	850 ml/min	850 ml/min	1000 ml/min
Max. intermittent duty	650 mbar	650 mbar	650 mbar
Max. continuous pressure	200 mbar	200 mbar	200 mbar
Max. restart pressure	200 mbar	200 mbar	200 mbar
Max. vacuum	38 %	38 %	38 %
Max. restart vacuum	20 %	20 %	20 %

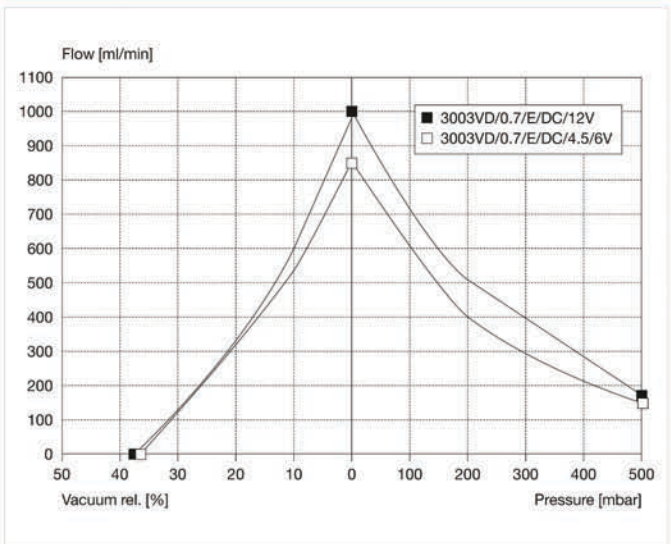
### ELECTRICAL DATA

Motor type	Ironless core DC	Ironless core DC	Ironless core DC
Power consumption	473 mW	480 mW	792 mW
Protection class	IP00	IP00	IP00
Bearing type	Sleeve bearing	Ball bearing	Sleeve bearing

### GENERAL DATA

Ambient temperature	10 to 50 °C	10 to 50 °C	10 to 50 °C
Media temperature	10 to 50 °C	10 to 50 °C	10 to 50 °C
Weight	40 g	40 g	40 g
Port direction	D	D	D

### FLOW CURVES

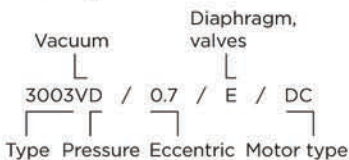


### WETTED PARTS

Pump head	PF	
Diaphragm plate	PA	
Diaphragm, valves	EPDM	FKM, Silicone
Diaphragm screw	SST	

### OPTIONS

Model key:



**3003...** Stock programme