

Diaphragm Pump 1620VDP DC EPDM

Flow	16.5 l/min
Final Vacuum	87 %
Final Pressure	1.8 bar



АНАЛИТИКА-СЕРВИС

PNEUMATIC DATA

Max. flow	16.5l/min
Max. intermittent vacuum	87 %
Max. continuous vacuum	87 %
Max. restart vacuum	87 %
Max. intermittent pressure	1.8bar
Max. continuous pressure	1.0 bar
Max. restart pressure	application dependent

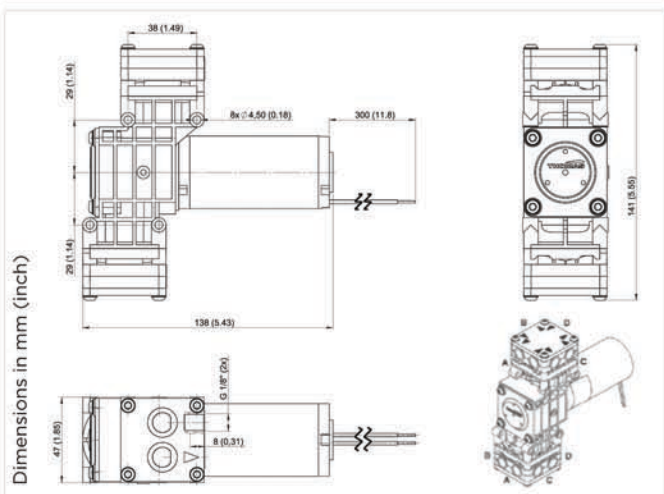
OPERATING CONDITIONS

Media temperature	5 to 40 °C
Ambient temperature	5 to 40 °C
Storage temperature	-25 to 55 °C
Storage humidity	30 to 70 % (no condensation)

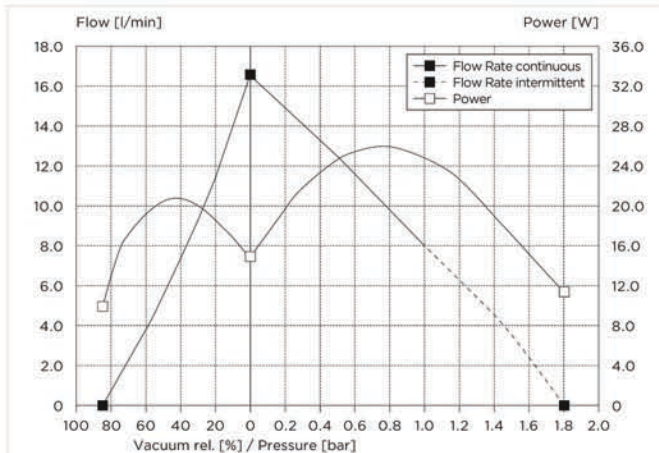
PHYSICAL DATA

Dimensions l x w x h	138 x 47 x 141 mm
Weight	750 g
Pneumatic connection	thread size G1/8"
Mounting-side	through hole ø 4.5 mm

DIMENSIONAL DRAWING



FLOW CURVES



ELECTRICAL DATA

Motor type	DC brushed
Nominal voltage	12/24 V DC
Max. power consumption	26.5 W
Insulation class	E
Protection class	IP40

ELECTRICAL DATA

Cable wire red	Plus
Cable wire black	Minus

MODEL KEY

1620 - VD - 0 - DD - 12V - DC - 2800 - 22 - EEE - PPS-T

Pos	Options	Description
1	1620	Product Line
2	VD	Vacuum-Pressure
3	0	Without tubing
4	A/B/C/D	Port position: D (standard)
5	12 V/24 V	Nominal voltage
6	DC	Motor: Quality DC
7	2800	Nominal motor speed
8	22	Eccentric: e.g. 22 → 2.2 mm
9	EEE/FFF	Diaphragm, valve, seal material: EPDM / FKM
10	PPS-T	Pump head material: Ryton

ORDER INFORMATION

Part Number	Model Key
16200000W	1620-VD-0-DD-12V-DC-2800-22-EEE-PPS-T
16200010W	1620-VD-0-DD-24V-DC-2800-22-EEE-PPS-T
Other configurations	Upon request
To order call	ASIA +86 510 6878 2258
To order call	EMEA +49 8141 22800
To order call	USA +1 920 457 4891
Or go online @	www.trythomaspumps.com
Or go online @	www.gardnerdenver.com/en-us/thomas