

Diaphragm Pump 1610VD DC EPDM

Flow	8.0 l/min
Final Vacuum	90 %
Final Pressure	2.0 bar



АНАЛИТИКА-СЕРВИС

PNEUMATIC DATA

Max. flow	8.0l/min
Max. intermittent vacuum	90%
Max. continuous vacuum	90%
Max. restart vacuum	90%
Max. intermittent pressure	2.0 bar
Max. continuous pressure	1.0 bar
Max. restart pressure	application dependent

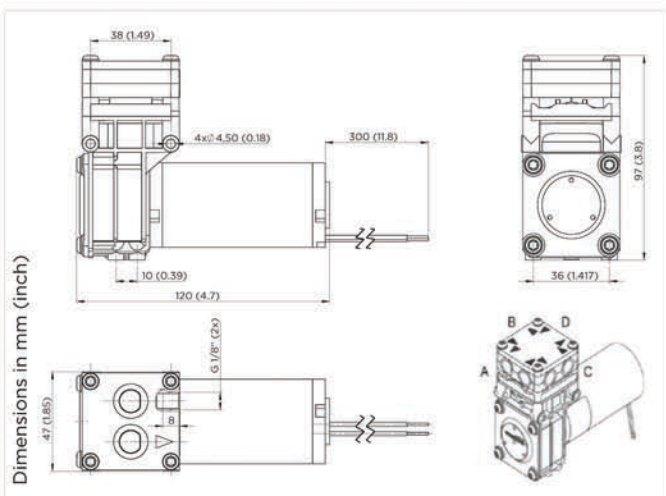
OPERATING CONDITIONS

Media temperature	5 to 40 °C
Ambient temperature	5 to 40 °C
Storage temperature	-25 to 55 °C
Storage humidity	30 to 70 % (no condensation)

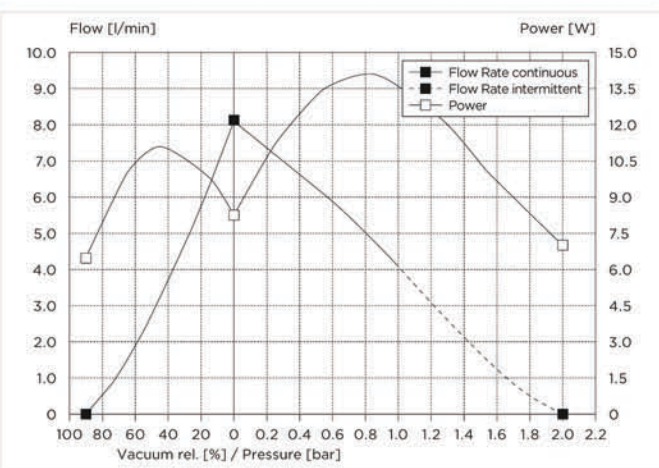
PHYSICAL DATA

Dimensions l x w x h	120 x 47 x 97 mm
Weight	640 g
Pneumatic connection	thread size G1/8"
Mounting-base	self tapping screw ø 4 mm (4x)
Mounting-side	through hole ø 4.5 mm

DIMENSIONAL DRAWING



FLOW CURVES



ELECTRICAL DATA

Motor type	DC brushed
Nominal voltage	12/24 V DC
Max. power consumption	14.5 W
Insulation class	E
Protection class	IP40

ELECTRICAL DATA

Cable wire red	Plus
Cable wire black	Minus

MODEL KEY

1610 - VD - 0 - D - 12V - DC - 2800 - 23 - EEE - PPS-T

Pos	Options	Description
1	1610	Product Line
2	VD	Vacuum-Pressure
3	0	Without tubing
4	A/B/C/D	Port position: D (standard)
5	12 V/24 V	Nominal voltage
6	DC	Motor: Quality DC
7	2800	Nominal motor speed
8	23	Eccentric: e.g. 23 → 2.3 mm
9	EEE/FFF	Diaphragm, valve, seal material: EPDM / FKM
10	PPS-T	Pump head material: Ryton

ORDER INFORMATION

Part Number	Model Key
16100000W	1610-VD-0-D-12V-DC-2800-23-EEE-PPS-T
16100010W	1610-VD-0-D-24V-DC-2800-23-EEE-PPS-T
Other configurations	Upon request
To order call	ASIA +86 510 6878 2258
To order call	EMEA +49 8141 22800
To order call	USA +1 920 457 4891
Or go online @	www.trythomaspumps.com
Or go online @	www.gardnerdenver.com/en-us/thomas