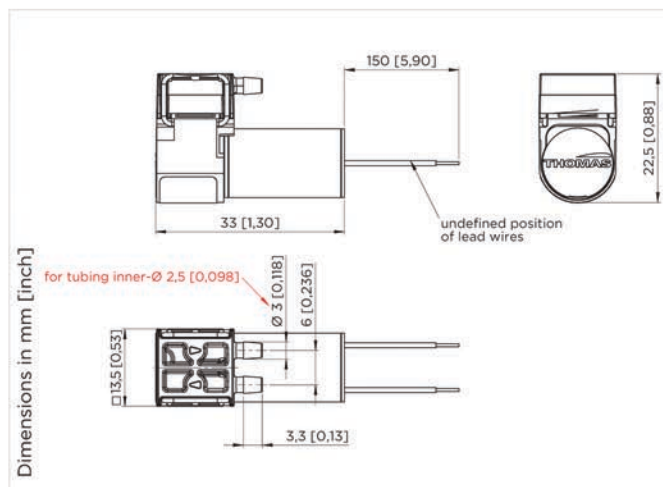


Diaphragm Pump 1014VD DC

Flow	530 ml/min
Max. pressure	580 mbar
Max. vacuum	47 %



АНАЛИТИКА-СЕРВИС

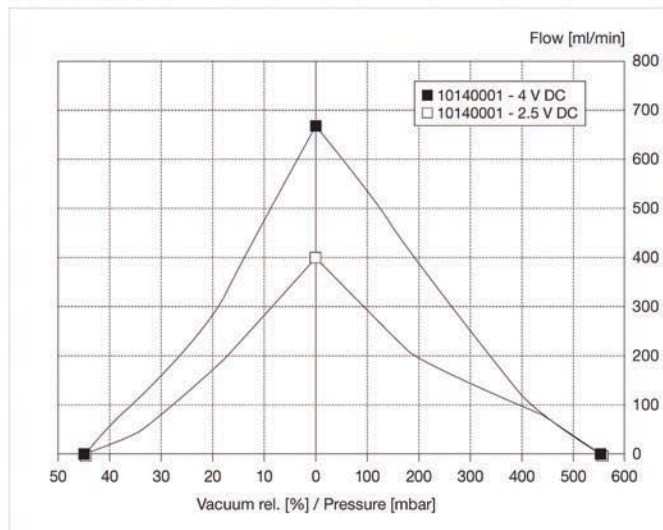


Dimensions in mm [inch]

PNEUMATIC DATA

Description	1014VD/0.635/E/DC
Part number 2.5 to 4.0 V DC	10140001
Max. flow	530 ml/min
Max. intermittent pressure	580 mbar
Max. continuous pressure	580 mbar
Max. restart pressure	400 mbar
Max. intermittent vacuum	47 %
Max. continuous vacuum	47 %
Max. restart vacuum	43 %

FLOW CURVES



ELECTRICAL DATA

Motor type	Ironless core DC
Nominal voltage	3.0 V **
Nominal speed	6300 rpm
Max. power consumption	243 mW
Protection class	IP40

GENERAL DATA

Ambient temperature	15 to 40 °C
Media temperature	15 to 40 °C
Weight	15 g
Pneumatic connection	see drawing
Port direction	D

WETTED PARTS

Pump head	PAA
Diaphragm	EPDM
Valves	EPDM
O-Ring	EPDM

Model key:

Product line Eccentric Motor type
 1014 VD / 0.635 / E / DC
 Vacuum/Pressure Diaphragm, valves, O-ring

* Contact factory for operation in explosive atmospheres
 ** Radio interference suppression according to EN 55011